

Regionála Sámi
Gelboguovddáš/
Regionalt Samisk
Kompetansesenter
(RESAG/RESAK)

Eilif T. Norvang
leder



REGIONÁLA SÁMI GELBOGUOVDDÁŠ/REGIONALT SAMISK KOMPETANSESENTER (RESAG/RESAK)

comprises:

- ◉ Family Councelling services
- ◉ Research unit

THE CONCEPT OF CULTURE

«Culture comprises ideas, values, rules and norms which are brought from one generation and one tries to transference to the next - usually somewhat changed

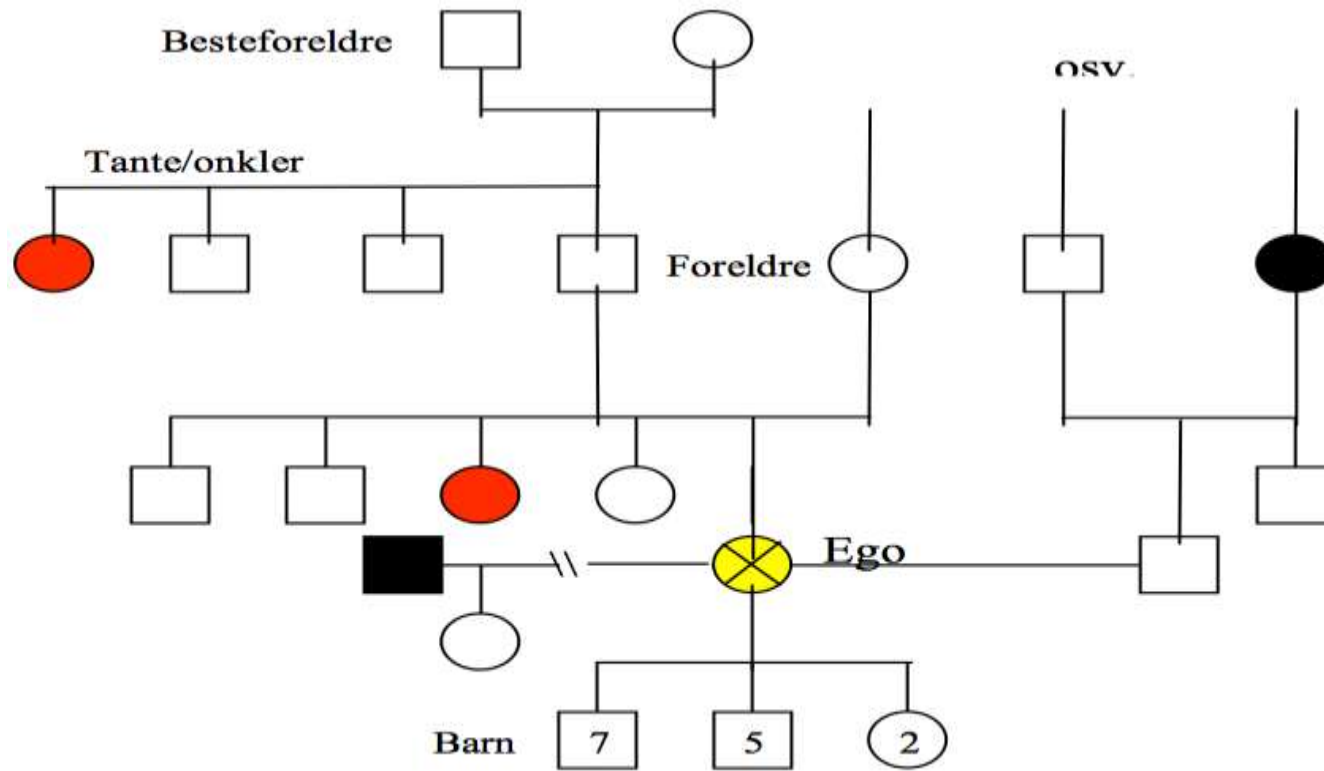
In other words, culture is what is learnt about right and wrong, ugly and beautiful, useful and useless, about daily conduct and the meaning of living»

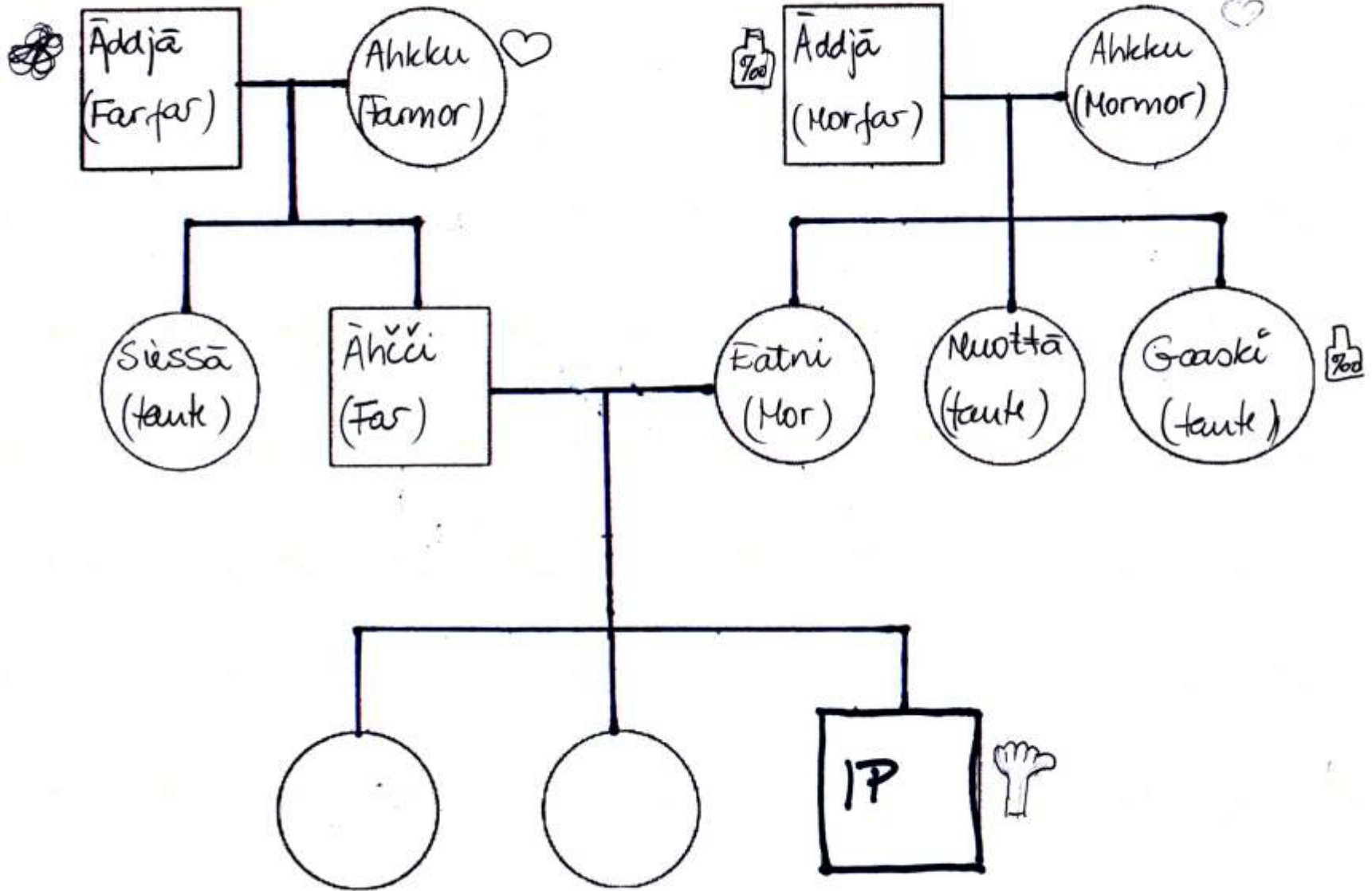
Arne M. Klausen

ONGOING PROJECTS

- ◉ Family Group Counselling in Family Services
- A Pilot Study
- ◉ International Child Development Programme (ICDP) - the programme aims at sensitising parents and other carers, primarily carers for children
- ◉ Violence in Close Relationships
- ◉ High Conflict Cases in Parental Care

Family Mapping





USE OF FAMILY MAPS:

- ◉ Will be used in all conversations; therapies, mediations and parents' cooperation meetings
- ◉ Fokuses on important persons in the life of the family and shows relational bonds
- ◉ Re-discovers connections, creates and re-creates continuity in peoples' lives

8 jahkeáigodaga álbmot

Sámis leat 8 jahkeáigodaga.

Dálvi; juovlamánus -njukčamánnui

Giđđadálvi;
njukčamánuš- cuonománnui

Giđđa;
miessemánuš-geassemánnui

Giđđagiessi, geassemánnu

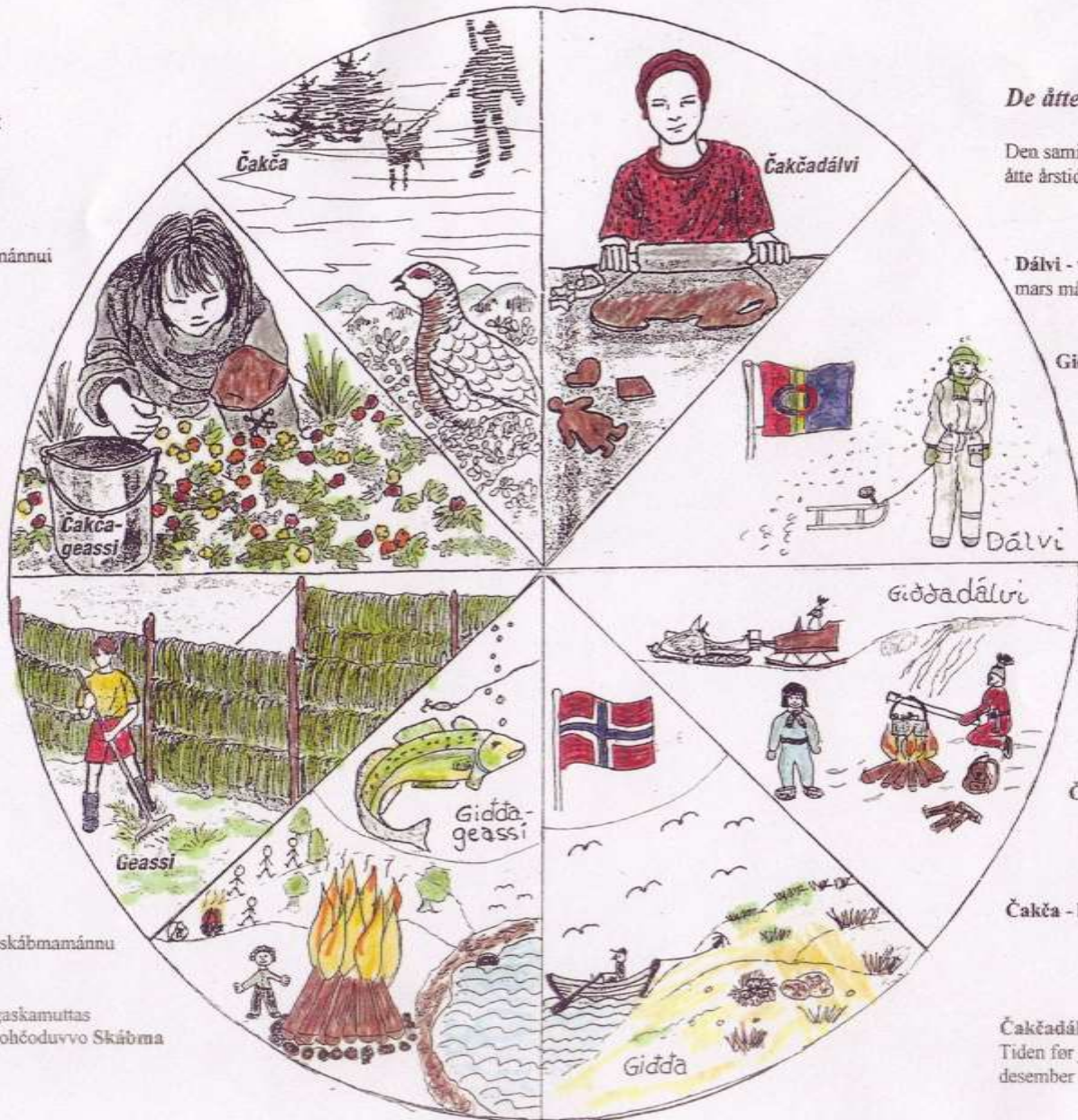
Geassi,
suoidnemánuš- borgemánnui

Čakčageassi, borgemánnu

Čakča,
čakčamánuš- golgogománnui

Čakčadálvi dahje skábma; skábmamánnu

Áigi ovddabealde juovllaid, gaskamuttas
skábmamánu juovlamánnui gohčoduvvo Skábma



De átte árstiders folk

Den samiske kalenderen er oppdelt i
átte árstider.

Dálvi - vinter, desember, januar til
mars måned

Giđđadálvi - senvinter, mars og april

Giđđa - vår, siste del av april, mai og
første del av juni

Giđđagiessi - forsommer; juni

Geassi - sommer, juli og første del
av august

Čakčageassi - sensommer; august

Čakča - høst, september og oktober

Čakčadálvi eller skábma - senhøst, november
Tiden før jul, halvdelen av november og hele
desember kalles også Skábma

CIRCLE OF SEASONS

- **The seasons and the family's activities**
- **Who takes part in what**
- **Together with whom**

CIRCLE OF SEASONS

- ◉ Which are the difficult seasons
- ◉ Which are the «dangerous» places at certain times of the year

SIMILARITIES RATHER THAN DIFFERENCES

- **Family maps and seasonal circles give meaning to people with different cultural backgrounds**
- **People everywhere are engaged in family and kindships**
- **Family maps and seasonal circles helps us to speak about what we really want to avoid, feelings and actions**

CONCLUSION

- **To give children adequate help, their parents must be involved, they must be met with respect for them as individuals and for their context**
- **Experiences from our use of family maps and seasonal circles show that the families relate to the stories, give meaningful ideas and experiences**